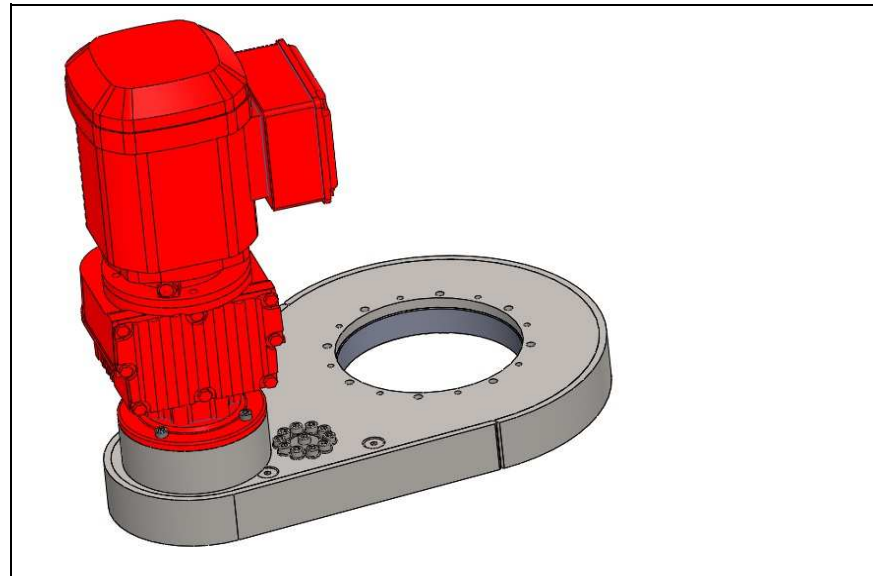


Timingbelt drive

ZRT 0240-00144-00



Transmittable torque  
Power  
Operationfactor  
  
Ratio  
Output speed  
Belt speed  
Number of teeth drive pully  
Number of teeth driven pully

M <sub>ü max</sub>	248	Nm
P <sub>nenn</sub>	0,40	kW
K <sub>A</sub>	1,57	

i	93,54	
n <sub>ab</sub>	15	rpm
v	0,27	m/s
Z <sub>1</sub>	32	-
Z <sub>2</sub>	104	-

Center distance  
Belt length

e <sub>1</sub>	240,0	mm
L <sub>d1</sub>	1120,0	mm

Static axial bearing capacity  
Static radial bearing capacity  
Dynamic axial bearing capacity  
Dynamic radial bearing capacity

C <sub>0 ax</sub>	138	kN
C <sub>0 rad</sub>	65	kN
C <sub>ax</sub>	26	kN
C <sub>rad</sub>	23	kN

Weight

M	37	kg
---	----	----

For information only

**Performance chart M<sub>ü</sub> = const.**

